

Resonance

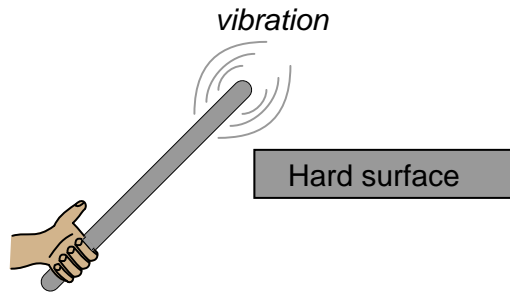
This worksheet and all related files are licensed under the Creative Commons Attribution License, version 1.0. To view a copy of this license, visit <http://creativecommons.org/licenses/by/1.0/>, or send a letter to Creative Commons, 559 Nathan Abbott Way, Stanford, California 94305, USA. The terms and conditions of this license allow for free copying, distribution, and/or modification of all licensed works by the general public.

Resources and methods for learning about these subjects (list a few here, in preparation for your research):

Questions

Question 1

If a metal bar is struck against a hard surface, the bar will "ring" with a characteristic frequency. This is the fundamental principle upon which *tuning forks* work:



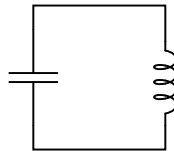
The ability of any physical object to "ring" like this after being struck is dependent upon two complementary properties: *mass* and *elasticity*. An object must possess both mass and a certain amount of "springiness" in order to physically resonate.

Describe what would happen to the resonant frequency of a metal bar if it were made of a more elastic (less "stiff") metal? What would happen to the resonant frequency if an extra amount of mass were added to the end being struck?

[file 00600](#)

Question 2

This simple electric circuit is capable of *resonance*, whereby voltage and current oscillate at a frequency characteristic to the circuit:



In a mechanical resonant system – such as a tuning fork, a bell, or a guitar string – resonance occurs because the complementary properties of *mass* and *elasticity* exchange energy back and forth between each other in *kinetic* and *potential* forms, respectively. Explain how energy is stored and transferred back and forth between the capacitor and inductor in the resonant circuit shown in the illustration, and identify which of these components stores energy in kinetic form, and which stores energy in potential form.

[file 00601](#)

Question 3

Resonant electric circuits are analogous to resonant mechanical systems. They both oscillate, and their oscillation is founded on an exchange of energy between two different forms.

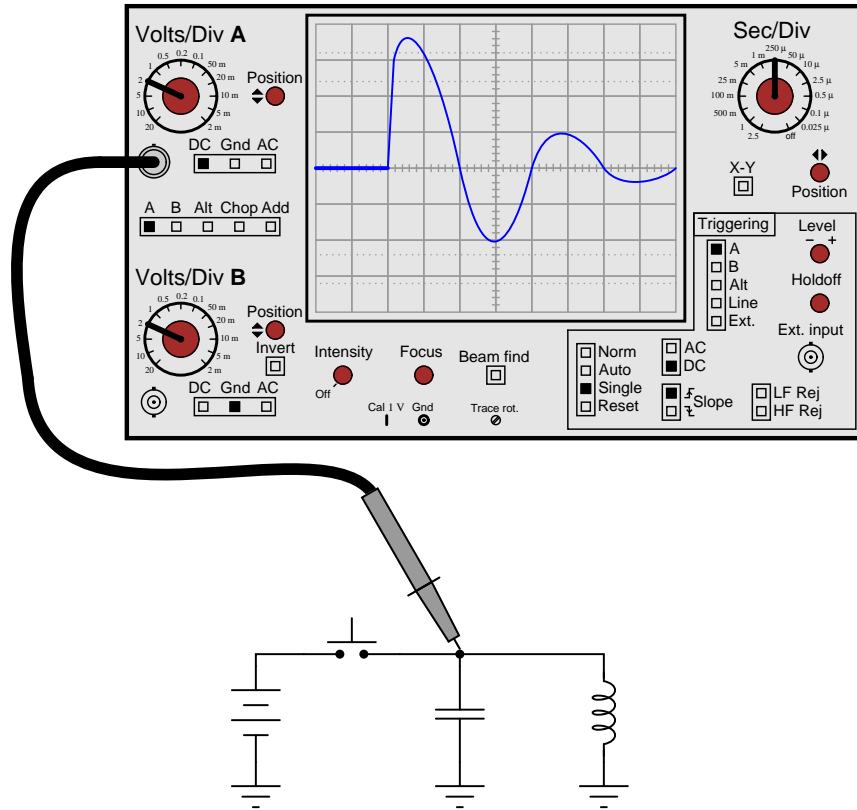
Mechanical engineers studying vibrations in machinery sometimes use capacitors and inductors to model the physical characteristics of mechanical systems. Specifically, capacitors model *elasticity*, while inductors model *mass*.

Explain what mechanical quantities in a resonant system are analogous to voltage and current in a resonant circuit.

[file 01140](#)

Question 4

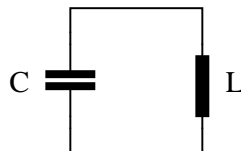
If an oscilloscope is set up for "single-sweep" triggering and connected to a DC-excited resonant circuit such as the one shown in the following schematic, the resulting oscillation will last just a short time (after momentarily pressing and releasing the pushbutton switch):



Explain why the oscillations die out, rather than go on forever. Hint: the answer is fundamentally the same as why a swinging pendulum eventually comes to a stop.
[file 03290](#)

Question 5

How may the resonant frequency of this *tank circuit* be increased?



[file 00602](#)

Question 6

Very interesting things happen to resonant systems when they are "excited" by external sources of oscillation. For example, a *pendulum* is a simple example of a mechanically resonant system, and we all know from experience with swings in elementary school that we can make a pendulum achieve very high amplitudes of oscillation if we "oscillate" our legs at just the right times to match the swing's natural (resonant) frequency.

Identify an example of a mechanically resonant system that is "excited" by an external source of oscillations near its resonant frequency. Hint: research the word "resonance" in engineering textbooks, and you are sure to read about some dramatic examples of resonance in action.

[file 00603](#)

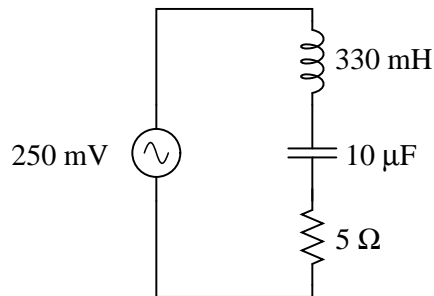
Question 7

If a capacitor and an inductor are connected in series, and energized by an AC voltage source with such a frequency that the reactances of each component are 125Ω and 170Ω , respectively, what is the total impedance of the series combination?

[file 00606](#)

Question 8

Calculate all voltage drops and current in this LC circuit at each of the given frequencies:



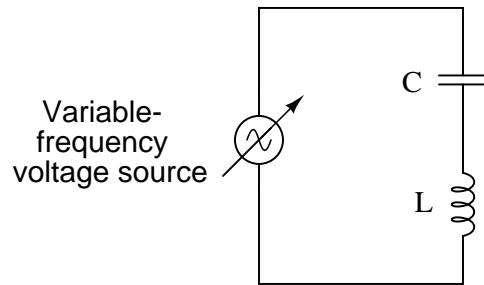
Frequency	V_L	V_C	I_{total}
50 Hz			
60 Hz			
70 Hz			
80 Hz			
90 Hz			
100 Hz			

Also, calculate the resonant frequency of this circuit.

[file 01873](#)

Question 9

Suppose we were to build a series "LC" circuit and connect it to a function generator, where we could vary the frequency of the AC voltage powering it:



Calculate the amount of current in the circuit, given the following figures:

- Power supply voltage = 3 volts RMS
- Power supply frequency = 100 Hz
- Capacitor = $4.7 \mu\text{F}$
- Inductor = 100 mH

Then, describe what happens to the circuit current as the frequency is gradually increased.

[file 00604](#)

Question 10

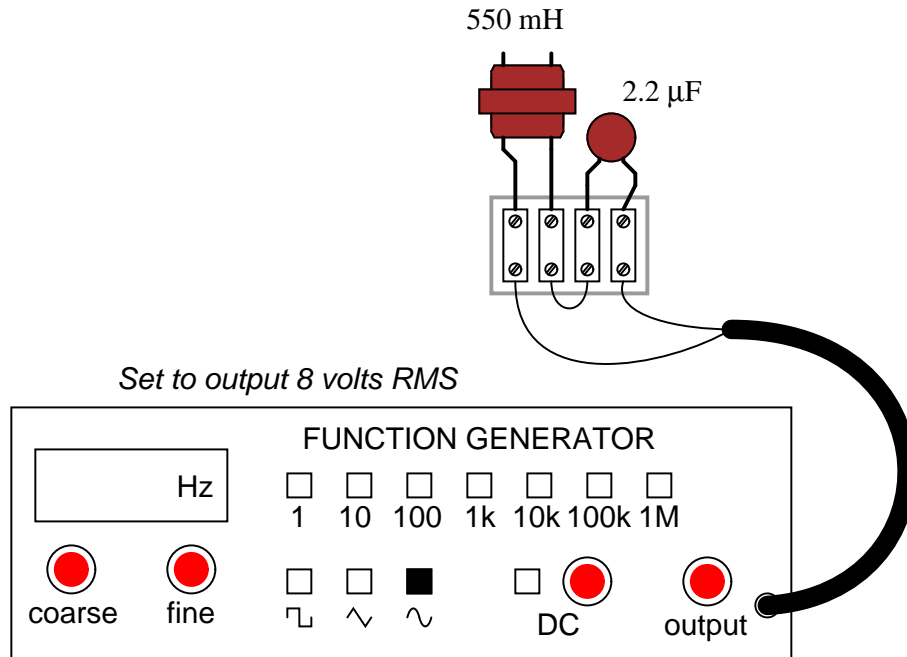
Calculate the power supply frequency at which the reactances of a $33 \mu\text{F}$ and a 75 mH inductor are exactly equal to each other. Derive a mathematical equation from the individual reactance equations ($X_L = 2\pi fL$ and $X_C = \frac{1}{2\pi fC}$), solving for frequency (f) in terms of L and C in this condition.

Calculate the total impedance of these two components, if they were connected in series, at that frequency.

[file 00607](#)

Question 11

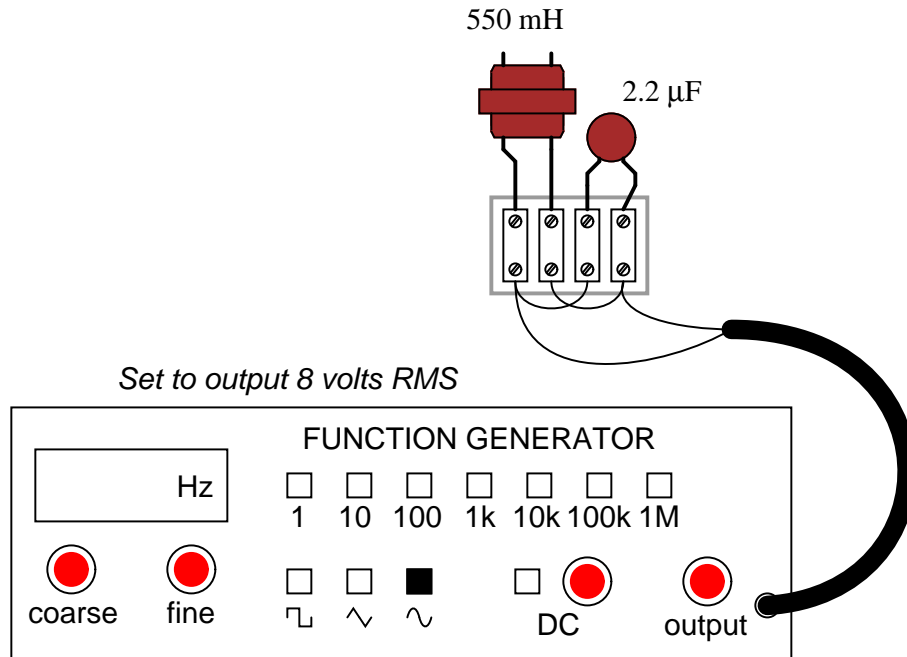
Calculate all voltages and currents in this circuit, at a power supply frequency near resonance:



Based on your calculations, what general predictions can you make about series-resonant circuits, in terms of their total impedance, their total current, and their individual component voltage drops?
[file 00608](#)

Question 12

Calculate all voltages and currents in this circuit, at a power supply frequency near resonance:

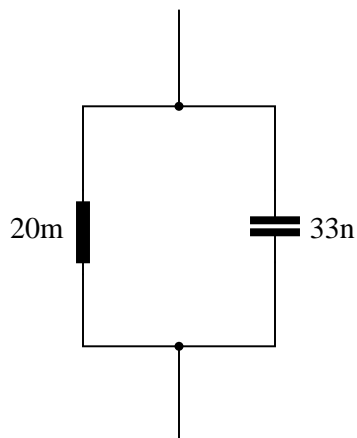


Based on your calculations, what general predictions can you make about parallel-resonant circuits, in terms of their total impedance, their total current, and their individual component currents?

[file 00609](#)

Question 13

Calculate the resonant frequency of this parallel LC circuit, and qualitatively describe its total impedance (Z_{total}) when operating at resonance:



[file 04043](#)

Question 14

Does a series LC circuit "appear" capacitive or inductive (from the perspective of the AC source powering it) when the source frequency is greater than the circuit's resonant frequency? What about a parallel resonant circuit? In each case, explain why.

[file 01563](#)

Question 15

A paradoxical property of resonant circuits is that they have the ability to produce quantities of voltage or current (in series and parallel circuits, respectively) exceeding that output by the power source itself. This is due to the cancellation of inductive and capacitive reactances at resonance.

Not all resonant circuits are equally effective in this regard. One way to quantify the performance of resonant circuits is to assign them a *quality factor*, or Q rating. This rating is very similar to the one given inductors as a measure of their reactive "purity."

Suppose we have a resonant circuit operating at its resonant frequency. How may we calculate the Q of this operating circuit, based on empirical measurements of voltage or current? There are *two* answers to this question: one for series circuits and one for parallel circuits.

[file 01390](#)

Question 16

The Q factor of a series inductive circuit is given by the following equation:

$$Q = \frac{X_L}{R_{series}}$$

Likewise, we know that inductive reactance may be found by the following equation:

$$X_L = 2\pi fL$$

We also know that the resonant frequency of a series LC circuit is given by this equation:

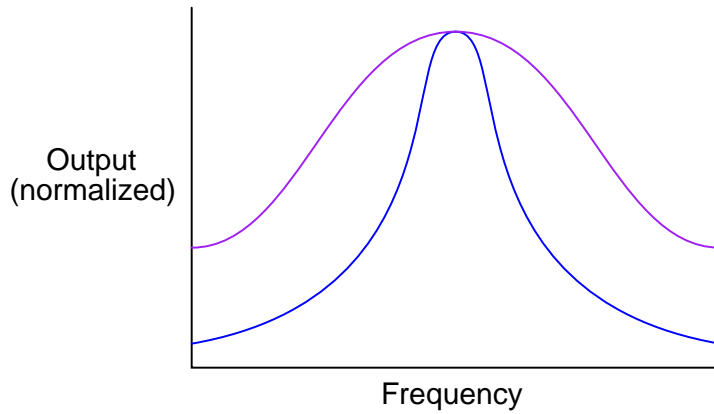
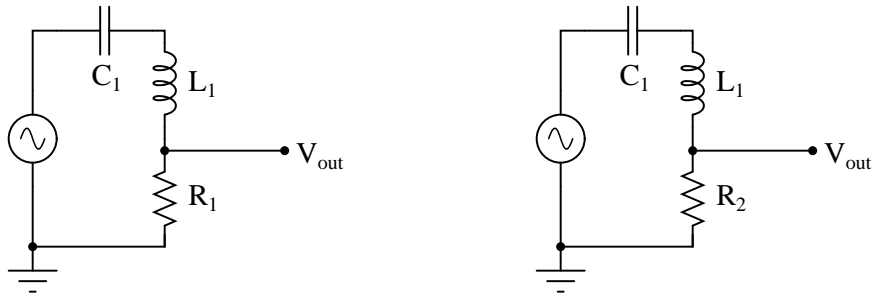
$$f_r = \frac{1}{2\pi\sqrt{LC}}$$

Through algebraic substitution, write an equation that gives the Q factor of a series resonant LC circuit exclusively in terms of L , C , and R , without reference to reactance (X) or frequency (f).

[file 01683](#)

Question 17

Shown here are two frequency response plots (known as *Bode plots*) for a pair of series resonant circuits. Each circuit has the same inductance and capacitance values, but different resistance values. The "output" is voltage measured across the resistor of each circuit:



Which one of these plots represents the response of the circuit with the greatest Q , or *quality factor*?
[file 01391](#)

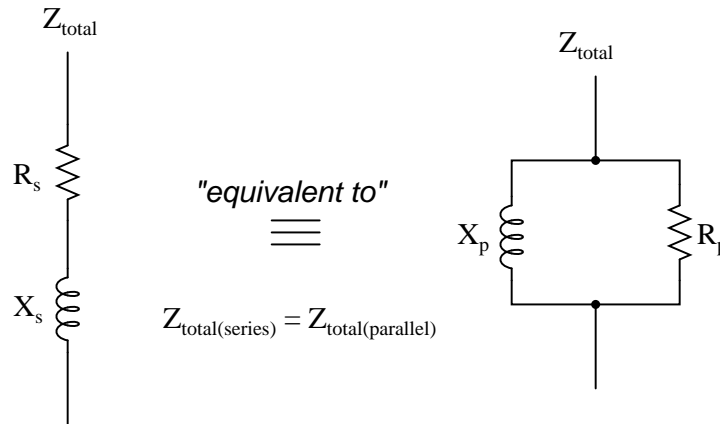
Question 18

The Q , or *quality factor*, of an inductor circuit is defined by the following equation, where X_s is the series inductive reactance and R_s is the series resistance:

$$Q = \frac{X_s}{R_s}$$

We also know that we may convert between series and parallel equivalent AC networks with the following conversion equations:

$$R_s R_p = Z^2 \qquad X_s X_p = Z^2$$



Series and parallel LR networks, if truly equivalent, should share the same Q factor as well as sharing the same impedance. Develop an equation that solves for the Q factor of a *parallel* LR circuit.

[file 02096](#)

Question 19

There is a direct, mathematical relationship between bandwidth, resonant frequency, and Q in a resonant filter circuit, but imagine for a moment that you forgot exactly what that formula was. You think it must be one of these two, but you are not sure which:

$$\text{Bandwidth} = \frac{Q}{f_r} \qquad (\text{or possibly}) \qquad \text{Bandwidth} = \frac{f_r}{Q}$$

Based on your conceptual knowledge of how a circuit's quality factor affects its frequency response, determine which of these formulae must be incorrect. In other words, *demonstrate* which of these must be correct rather than simply looking up the correct formula in a reference book.

[file 01870](#)

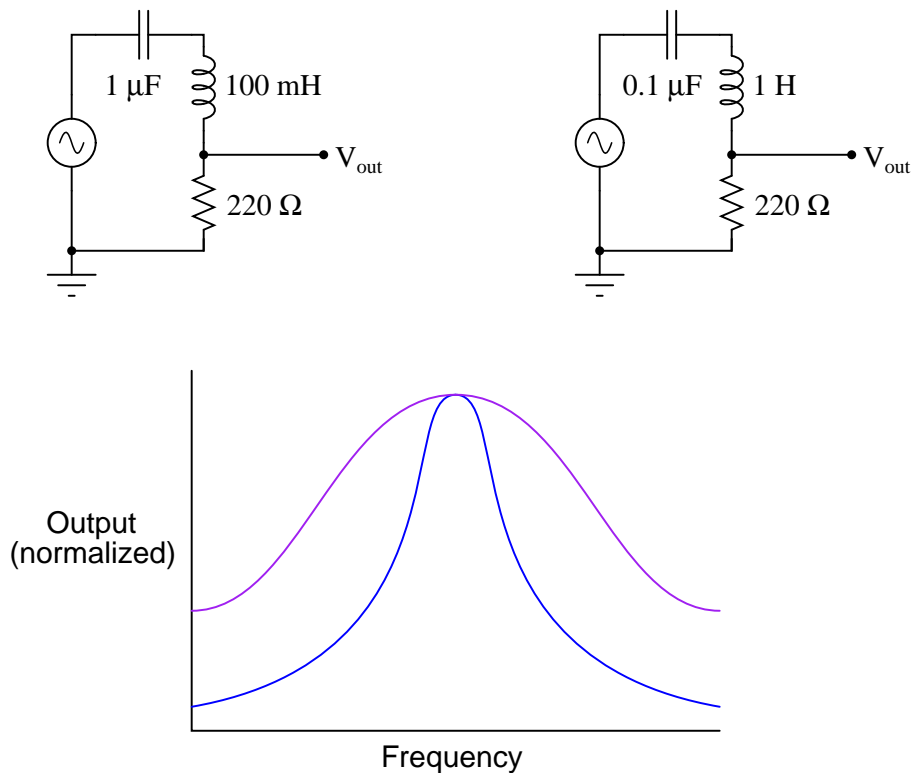
Question 20

Suppose you have a 110 mH inductor, and wish to combine it with a capacitor to form a band-stop filter with a "notch" frequency of 1 kHz. Draw a schematic diagram showing what the circuit would look like (complete with input and output terminals) and calculate the necessary capacitor size to do this, showing the equation you used to solve for this value. Also, calculate the bandwidth of this notch filter, assuming the inductor has an internal resistance of 20 ohms, and that there is negligible resistance in the rest of the circuit.

[file 01872](#)

Question 21

Shown here are two frequency response plots (known as *Bode plots*) for a pair of series resonant circuits with the same resonant frequency. The "output" is voltage measured across the resistor of each circuit:



Determine which plot is associated with which circuit, and explain your answer.
[file 01682](#)

Question 22

Not only do reactive components unavoidably possess some parasitic ("stray") resistance, but they also exhibit parasitic reactance of the *opposite* kind. For instance, inductors are bound to have a small amount of capacitance built-in, and capacitors are bound to have a small amount of inductance built-in. These effects are not intentional, but they exist anyway.

Describe how a small amount of capacitance comes to exist within an inductor, and how a small amount of inductance comes to exist within a capacitor. Explain what it is about the construction of these two reactive components that allows the existence of "opposite" characteristics.

[file 00593](#)

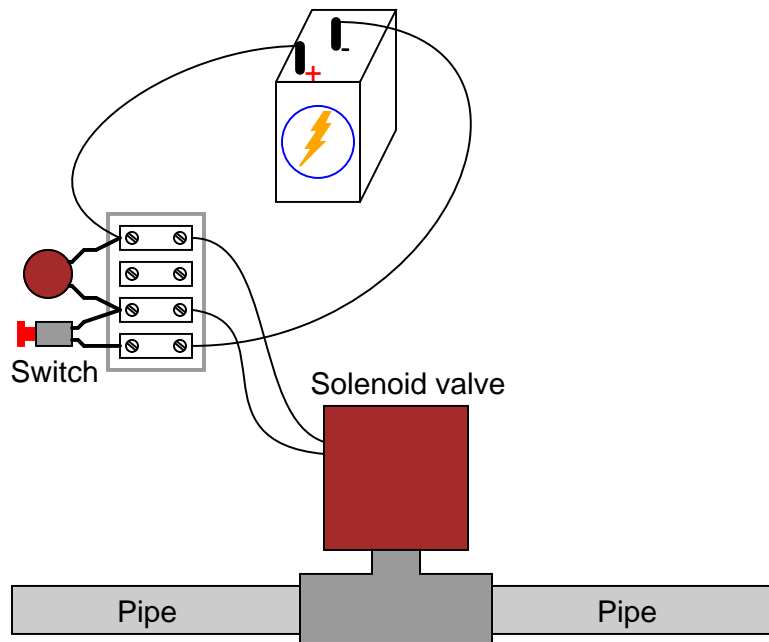
Question 23

Given the unavoidable presence of parasitic inductance and/or capacitance in any electronic component, what does this mean in terms of *resonance* for single components in AC circuits?

[file 00594](#)

Question 24

A capacitor has been connected in parallel with the solenoid coil to minimize arcing of the switch contacts when opened:



The only problem with this solution is, resonance between the capacitor and the solenoid coil's inductance is causing an oscillating voltage (commonly known as *ringing*) to appear across the terminals of each. This high-frequency "ringing" is generating bursts of radio interference whenever the switch contacts open. Radio interference is not good.

You know that the underlying cause of this "ringing" is resonance, yet you cannot simply remove the capacitor from the circuit because you know that will result in decreased operating life for the switch contacts, as the solenoid's inductive "kickback" will cause excessive arcing. How do you overcome this problem without creating another problem?

[file 00610](#)

Question 25

An alternative to "tank circuit" combinations of L and C in many electronic circuits is a small device known as a *crystal*. Explain how a "crystal" may take the place of a tank circuit, and how it functions.

[file 01869](#)

Don't just sit there! Build something!!

Learning to mathematically analyze circuits requires much study and practice. Typically, students practice by working through lots of sample problems and checking their answers against those provided by the textbook or the instructor. While this is good, there is a much better way.

You will learn much more by actually *building and analyzing real circuits*, letting your test equipment provide the "answers" instead of a book or another person. For successful circuit-building exercises, follow these steps:

1. Carefully measure and record all component values prior to circuit construction.
2. Draw the schematic diagram for the circuit to be analyzed.
3. Carefully build this circuit on a breadboard or other convenient medium.
4. Check the accuracy of the circuit's construction, following each wire to each connection point, and verifying these elements one-by-one on the diagram.
5. Mathematically analyze the circuit, solving for all voltage and current values.
6. Carefully measure all voltages and currents, to verify the accuracy of your analysis.
7. If there are any substantial errors (greater than a few percent), carefully check your circuit's construction against the diagram, then carefully re-calculate the values and re-measure.

For AC circuits where inductive and capacitive reactances (impedances) are a significant element in the calculations, I recommend high quality (high-Q) inductors and capacitors, and powering your circuit with low frequency voltage (power-line frequency works well) to minimize parasitic effects. If you are on a restricted budget, I have found that inexpensive electronic musical keyboards serve well as "function generators" for producing a wide range of audio-frequency AC signals. Be sure to choose a keyboard "voice" that closely mimics a sine wave (the "panflute" voice is typically good), if sinusoidal waveforms are an important assumption in your calculations.

As usual, avoid very high and very low resistor values, to avoid measurement errors caused by meter "loading". I recommend resistor values between 1 k Ω and 100 k Ω .

One way you can save time and reduce the possibility of error is to begin with a very simple circuit and incrementally add components to increase its complexity after each analysis, rather than building a whole new circuit for each practice problem. Another time-saving technique is to re-use the same components in a variety of different circuit configurations. This way, you won't have to measure any component's value more than once.

[file 00605](#)

Answers

Answer 1

In either case, the resonant frequency of the bar would *decrease*.

Answer 2

Capacitors store energy in potential form, while inductors store energy in kinetic form.

Answer 3

Mechanical force and velocity are analogous to electrical voltage and current, respectively.

Challenge question: specifically relate voltage and current for an inductor to force and velocity for a mass, and voltage and current for a capacitor to force and velocity for a spring. Illustrate the similarities mathematically, where possible!

Answer 4

No resonant circuit is completely free of dissipative elements, whether resistive or radiative, and so some energy is lost each cycle.

Answer 5

The resonant frequency of this tank circuit may be increased by substituting a smaller-value capacitor in for the capacitor value it presently has.

Note: this is not the only way to increase this circuit's resonant frequency!

Answer 6

Large buildings have (very low) resonant frequencies, that may be matched by the motion of the ground in an earthquake, so that even a relatively small earthquake can cause major damage to the building.

Challenge question: after researching the behavior of mechanical resonant systems when driven by external oscillations of the same frequency, determine what the effects might be of external oscillations on an *electrical* resonant system.

Answer 7

$45^\circ \angle 90^\circ$

Now, of course, you are wondering: "how can two series-connected components have a total impedance that is *less* than either of their individual impedances?" Don't series impedances add to equal the total impedance, just like series resistances? Be prepared to explain what is happening in this circuit, during discussion time with your classmates.

Answer 8

Frequency	V_L	V_C	I_{total}
50 Hz	0.121 V	0.371 V	1.16 mA
60 Hz	0.221 V	0.471 V	1.77 mA
70 Hz	0.440 V	0.690 V	3.03 mA
80 Hz	1.24 V	1.49 V	7.48 mA
90 Hz	4.25 V	4.03 V	22.8 mA
100 Hz	1.07 V	0.821 V	5.16 mA

$$f_r = 87.6 \text{ Hz}$$

Answer 9

Circuit current = 10.88 mA RMS. As the frequency is gradually increased, the circuit current increases as well.

Follow-up question: what do you suppose might happen to the circuit current if the frequency is increased to the point that the reactances of the inductor and capacitor completely cancel each other? What safety concerns might arise from this possibility?

Answer 10

$$f_{resonant} = 101.17 \text{ Hz. At this frequency, } Z_{series} = 0 \Omega.$$

Answer 11

In a series LC circuit near resonance, Z_{total} is nearly zero, I_{total} is large, and both E_L and E_C are large as well.

Follow-up question: suppose the capacitor were to fail shorted. Identify how this failure would alter the circuit's current and voltage drops.

Answer 12

In a parallel LC circuit near resonance, Z_{total} is nearly infinite, I_{total} is small, and both I_L and I_C are large as well.

Follow-up question: suppose the inductor were to fail open. Identify how this failure would alter the circuit's current and voltage drops.

Answer 13

$$f_r = 6.195 \text{ kHz}$$

$$Z_{total} @ f_r = \infty$$

Answer 14

A series LC circuit will appear *inductive* when the source frequency exceeds the resonant frequency. A parallel LC circuit will appear *capacitive* in the same condition.

Answer 15

$$Q_{series} = \frac{E_C}{E_{source}} = \frac{E_L}{E_{source}}$$
$$Q_{parallel} = \frac{I_C}{I_{source}} = \frac{I_L}{I_{source}}$$

Follow-up question: what unique safety hazards may high-Q resonant circuits pose?

Answer 16

$$Q = \frac{1}{R} \sqrt{\frac{L}{C}}$$

Answer 17

The steeper plot corresponds to the circuit with the greatest Q .

Follow-up question: assuming both the inductance and the capacitance values are the same in these two resonant circuits, explain which circuit has the greatest resistance (R_1 or R_2).

Challenge question: what does the word "normalized" mean with respect to the vertical axis scale of the Bode plot?

Answer 18

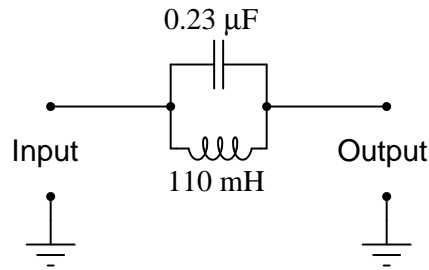
$$Q = \frac{R_p}{X_p}$$

Follow-up question: what condition gives the greatest value for Q , a low parallel resistance or a high parallel resistance? Contrast this against the effects of low versus high resistance in a series LR circuit, and explain both scenarios.

Answer 19

Hint: the greater the value of Q , the less bandwidth a resonant circuit will have.

Answer 20



The bandwidth of this 1 kHz notch filter is approximately 29 Hz.

Follow-up question: suppose you looked around but could not find a capacitor with a value of $0.23 \mu\text{F}$. What could you do to obtain this exact capacitance value? Be as specific and as practical as you can in your answer!

Answer 21

The steeper plot corresponds to the circuit with the greatest $\frac{L}{C}$ ratio.

Follow-up question: what kind of instrument(s) would you use to plot the response of a real resonant circuit in a lab environment? Would an oscilloscope be helpful with this task? Why or why not?

Answer 22

Capacitance exists any time there are two conductors separated by an insulating medium. Inductance exists any time a magnetic field is permitted to exist around a current-carrying conductor. Look for each of these conditions within the respective structures of inductors and capacitors to determine where the parasitic effects originate.

Answer 23

Parasitic reactance means that any single component is theoretically capable of resonance, all on its own!

Follow-up question: at what frequency would you expect a component to self-resonate? Would this be a very low frequency, a very high frequency, or a frequency within the circuit's normal operating range? Explain your answer.

Answer 24

Like many realistic problems, there is more than one possible solution. One way to approach this problem is to think of an analogous situation, and how the same type of problem was solved by someone else in that context. For example, how do automotive engineers solve the problem of mechanical resonance destabilizing a vehicle after it runs over a bump in the road? What did they invent to dampen the natural "bouncing" of the vehicle's suspension system, without defeating the purpose of the suspension system altogether? And how might you apply this principle to an electric circuit?

Follow-up question: besides shortening the life of the switch, what other undesirable effects can switch "arcing" have? Can you think of any scenarios where an arcing switch could pose a safety hazard?

Answer 25

Crystals are mechanical resonators made of a piezoelectric material (usually quartz).

Let the electrons themselves give you the answers to your own "practice problems"!

Notes

Notes 1

Electrical resonance is so closely related to physical resonance, that I believe questions like this help students grasp the concept better. Everyone knows what resonance is in the context of a vibrating object (tuning fork, bell, wind chime, guitar string, cymbal head), even if they have never heard of the term "resonance" before. Getting them to understand that mechanical resonance depends on the complementary qualities of mass and elasticity primes their minds for understanding that electrical resonance depends on the complementary qualities of inductance and capacitance.

Notes 2

Ask your students to define "potential" and "kinetic" energy. These terms, of course, are central to the question, and I have not bothered to define them. This omission is purposeful, and it is the students' responsibility to research the definitions of these words in the process of answering the question. If a substantial number of your students stopped trying to answer the question when they encountered new words (instead of taking initiative to find out what the words mean), then it indicates a need to focus on independent learning skills (and attitudes!).

Discuss a typical "cycle" of energy exchange between kinetic and potential forms in a vibrating object, and then relate this exchange process to the oscillations of a tank circuit (capacitor and inductor).

Notes 3

This is a challenging question, and it is one I would reserve for students destined to become engineers. However, once answered, it brings deep insight to the phenomenon of resonance both mechanical and electrical.

Notes 4

A circuit such as this is easy to build and demonstrate, but you will need a digital storage oscilloscope to successfully capture the damped oscillations. Also, the results may be tainted by switch "bounce," so be prepared to address that concept if you plan to demonstrate this to a live audience.

You might want to ask your students how they would suggest building a "tank circuit" that is as free from energy losses as possible. If a perfect tank circuit could be built, how would it act if momentarily energized by a DC source such as in this setup?

Notes 5

Challenge your students to explain another method for increasing the resonant frequency of this tank circuit, besides decreasing the value of the capacitor. Discuss how any of these alterations to the circuit affect the typical energy "cycle" between kinetic and potential forms, and *why* they lead to an increased frequency.

Notes 6

Many, many examples of mechanical resonance exist, some of which are quite dramatic. A famous example of destructive mechanical resonance (of a well-known bridge in Washington state) has been immortalized in video form, and is easily available on the internet. If possible, provide the means within your classroom to display a video clip on computer, for any of the students who happen to find this video file and bring it to discussion.

Notes 7

This question is an exercise in complex number arithmetic, and it is quite counter-intuitive at first. Discuss this problem in depth with your students, so that they are sure to comprehend the phenomenon of series-canceling impedances.

Notes 8

This is nothing more than number-crunching, though some students may have found novel ways to speed up their calculations or verify their work.

Notes 9

In order for your students to arrive at the answer of circuit current increasing with frequency, they must perform a few calculations at different frequencies. Do this together, as a group, and note how the circuit's impedance changes with frequency.

Notes 10

The answer gives away the meaning of this question: the determination of an LC circuit's *resonant* frequency. Students may be surprised at the total impedance figure of 0Ω , but this is really nothing more than an extension of the "impedance cancellation" concept they've seen before in other series LC circuit questions. In this case, the cancellation concept has merely been taken to the ultimate level of *total* cancellation between the two impedances.

Notes 11

This question is given without a specified source frequency for a very important reason: to encourage students to "experiment" with numbers and explore concepts on their own. Sure, I could have given a power supply frequency as well, but I chose not to because I wanted students to set up part of the problem themselves.

In my experience teaching, students will often choose to remain passive with regard to a concept they do not understand, rather than aggressively pursue an understanding of it. They would rather wait and see if the instructor happens to cover that concept during class time than take initiative to explore it on their own. Passivity is a recipe for failure in life, and this includes intellectual endeavors as much as anything else. The fundamental trait of autonomous learning is the habit of pursuing the answer to a question, without being led to do so. Questions like this, which purposefully omit information, and thus force the student to think creatively and independently, teach them to develop this trait.

Notes 12

This question is given without a specified source frequency for a very important reason: to encourage students to "experiment" with numbers and explore concepts on their own. Sure, I could have given a power supply frequency as well, but I chose not to because I wanted students to set up part of the problem themselves.

In my experience teaching, students will often choose to remain passive with regard to a concept they do not understand, rather than aggressively pursue an understanding of it. They would rather wait and see if the instructor happens to cover that concept during class time than take initiative to explore it on their own. Passivity is a recipe for failure in life, and this includes intellectual endeavors as much as anything else. The fundamental trait of autonomous learning is the habit of pursuing the answer to a question, without being led to do so. Questions like this, which purposefully omit information, and thus force the student to think creatively and independently, teach them to develop this trait.

Notes 13

Nothing special to note here, just an application of the resonance formula and a review of parallel LC resonance.

Notes 14

Ask your students to explain their answers mathematically.

Notes 15

Ask your students to determine which type of danger(s) are posed by high-Q series and parallel resonant circuits, respectively. The answer to this question may seem paradoxical at first: that series resonant circuits whose overall impedance is nearly zero can manifest large voltage drops, while parallel resonant circuits whose overall impedance is nearly infinite can manifest large currents.

Notes 16

This is merely an exercise in algebra. However, knowing how these three component values affects the Q factor of a resonant circuit is a valuable and practical insight!

Notes 17

When your students study resonant filter circuits, they will better understand the importance of Q. For now, though, it is enough that they comprehend the basic notion of how Q impacts the voltage dropped by any one component in a series resonant circuit across a range of frequencies.

Notes 18

This is primarily an exercise in algebraic substitution, but it also challenges students to think deeply about the nature of Q and what it means, especially in the follow-up question.

Notes 19

The purpose of this question is not necessarily to get students to look this formula up in a book, but rather to develop their qualitative reasoning and critical thinking skills. Forgetting the exact form of an equation is not a rare event, and it pays to be able to select between different forms based on a conceptual understanding of what the formula is supposed to predict.

Note that the question asks students to identify the *wrong* formula, and not to tell which one is right. If all we have are these to formulae to choose from, and a memory too weak to confidently recall the correct form, the best that logic can do is eliminate the wrong formula. The formula making the most sense according to our qualitative analysis may or may not be *precisely* right, because we could very well be forgetting a multiplicative constant (such as 2π).

Notes 20

In my answer I used the series-resonant formula $f_r = \frac{1}{2\pi\sqrt{LC}}$, since the series formula gives good approximations for parallel resonant circuits with Q factors in excess of 10.

The follow-up question is very practical, since it is often common to need a component value that is non-standard. Lest any of your students suggest obtaining a *variable* capacitor for this task, remind them that variable capacitors are typically rated in the pico-Farad range, and would be much too small for this application.

Notes 21

Discuss with your students why the LC circuit with the greatest $\frac{L}{C}$ ratio has the steeper response, in terms of reactances of the respective components at the resonant frequency.

The purpose of this question is to get students to realize that not all resonant circuits with identical resonant frequencies are alike! Even with ideal components (no parasitic effects), the frequency response of a simple LC circuit varies with the particular choice of component values. This is not obvious from inspection of the resonant frequency formula:

$$f_r = \frac{1}{2\pi\sqrt{LC}}$$

Notes 22

Once students have identified the *mechanisms* of parasitic reactances, challenge them with inventing means of minimizing these effects. This is an especially practical exercise for understanding parasitic inductance in capacitors, which is very undesirable in decoupling capacitors used to stabilize power supply voltages near integrated circuit "chips" on printed circuit boards. Fortunately, most of the stray inductance in a decoupling capacitor is due to how it's mounted to the board, rather than anything within the structure of the capacitor itself.

Notes 23

This question grew out of several years' worth of observations, where students would discover self-resonant effects in large (> 1 Henry) inductors at modest frequencies. Being a recurring theme, I thought it prudent to include this question within my basic electronics curriculum.

One component that tends to be more immune to self-resonance than others is the lowly resistor, especially resistors of large value. Ask your students why they think this might be. A mechanical analogy to self-resonance is the natural frequency of vibration for an object, given the unavoidable presence of both elasticity and mass in any object. The mechanical systems most immune to vibratory resonance, though, are those with a high degree of intrinsic *friction*.

Notes 24

Besides posing a practical problem-solving scenario to students, this question is a good lead-in to the topic of *antiresonance*. Be sure to allow plenty of class discussion time for this question, as many topics are likely to be covered as students discuss alternative problem-solving strategies.

Notes 25

My answer here is purposefully vague, to inspire students to research on their own.

It has been my experience that students require much practice with circuit analysis to become proficient. To this end, instructors usually provide their students with lots of practice problems to work through, and provide answers for students to check their work against. While this approach makes students proficient in circuit theory, it fails to fully educate them.

Students don't just need mathematical practice. They also need real, hands-on practice building circuits and using test equipment. So, I suggest the following alternative approach: students should *build* their own "practice problems" with real components, and try to mathematically predict the various voltage and current values. This way, the mathematical theory "comes alive," and students gain practical proficiency they wouldn't gain merely by solving equations.

Another reason for following this method of practice is to teach students *scientific method*: the process of testing a hypothesis (in this case, mathematical predictions) by performing a real experiment. Students will also develop real troubleshooting skills as they occasionally make circuit construction errors.

Spend a few moments of time with your class to review some of the "rules" for building circuits before they begin. Discuss these issues with your students in the same Socratic manner you would normally discuss the worksheet questions, rather than simply telling them what they should and should not do. I never cease to be amazed at how poorly students grasp instructions when presented in a typical lecture (instructor monologue) format!

An excellent way to introduce students to the mathematical analysis of real circuits is to have them first determine component values (L and C) from measurements of AC voltage and current. The simplest circuit, of course, is a single component connected to a power source! Not only will this teach students how to set up AC circuits properly and safely, but it will also teach them how to measure capacitance and inductance without specialized test equipment.

A note on reactive components: use high-quality capacitors and inductors, and try to use low frequencies for the power supply. Small step-down power transformers work well for inductors (at least two inductors in one package!), so long as the voltage applied to any transformer winding is less than that transformer's rated voltage for that winding (in order to avoid saturation of the core).

A note to those instructors who may complain about the "wasted" time required to have students build real circuits instead of just mathematically analyzing theoretical circuits:

What is the purpose of students taking your course?

If your students will be working with real circuits, then they should learn on real circuits whenever possible. If your goal is to educate theoretical physicists, then stick with abstract analysis, by all means! But most of us plan for our students to do something in the real world with the education we give them. The "wasted" time spent building real circuits will pay huge dividends when it comes time for them to apply their knowledge to practical problems.

Furthermore, having students build their own practice problems teaches them how to perform *primary research*, thus empowering them to continue their electrical/electronics education autonomously.

In most sciences, realistic experiments are much more difficult and expensive to set up than electrical circuits. Nuclear physics, biology, geology, and chemistry professors would just love to be able to have their students apply advanced mathematics to real experiments posing no safety hazard and costing less than a textbook. They can't, but you can. Exploit the convenience inherent to your science, and *get those students of yours practicing their math on lots of real circuits!*